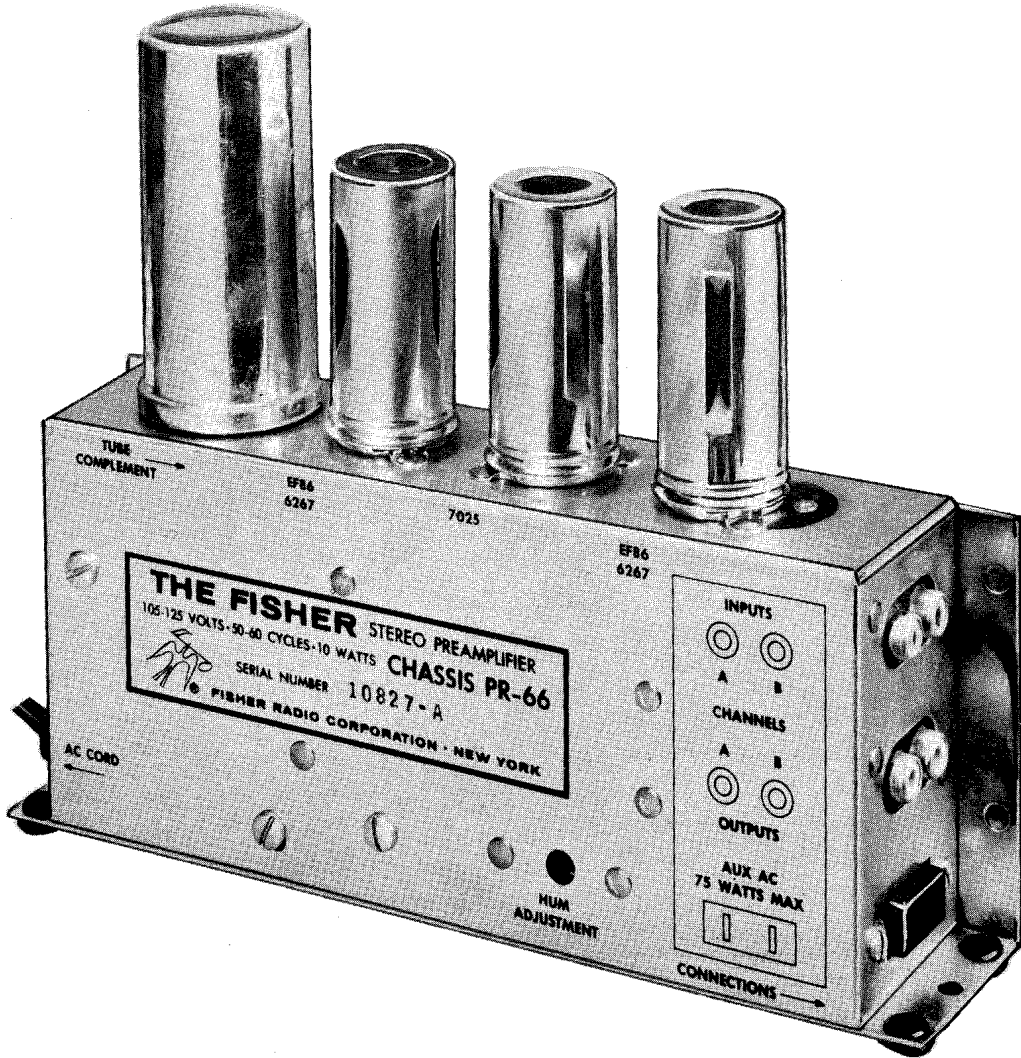




FISHER  
MODEL PR-66



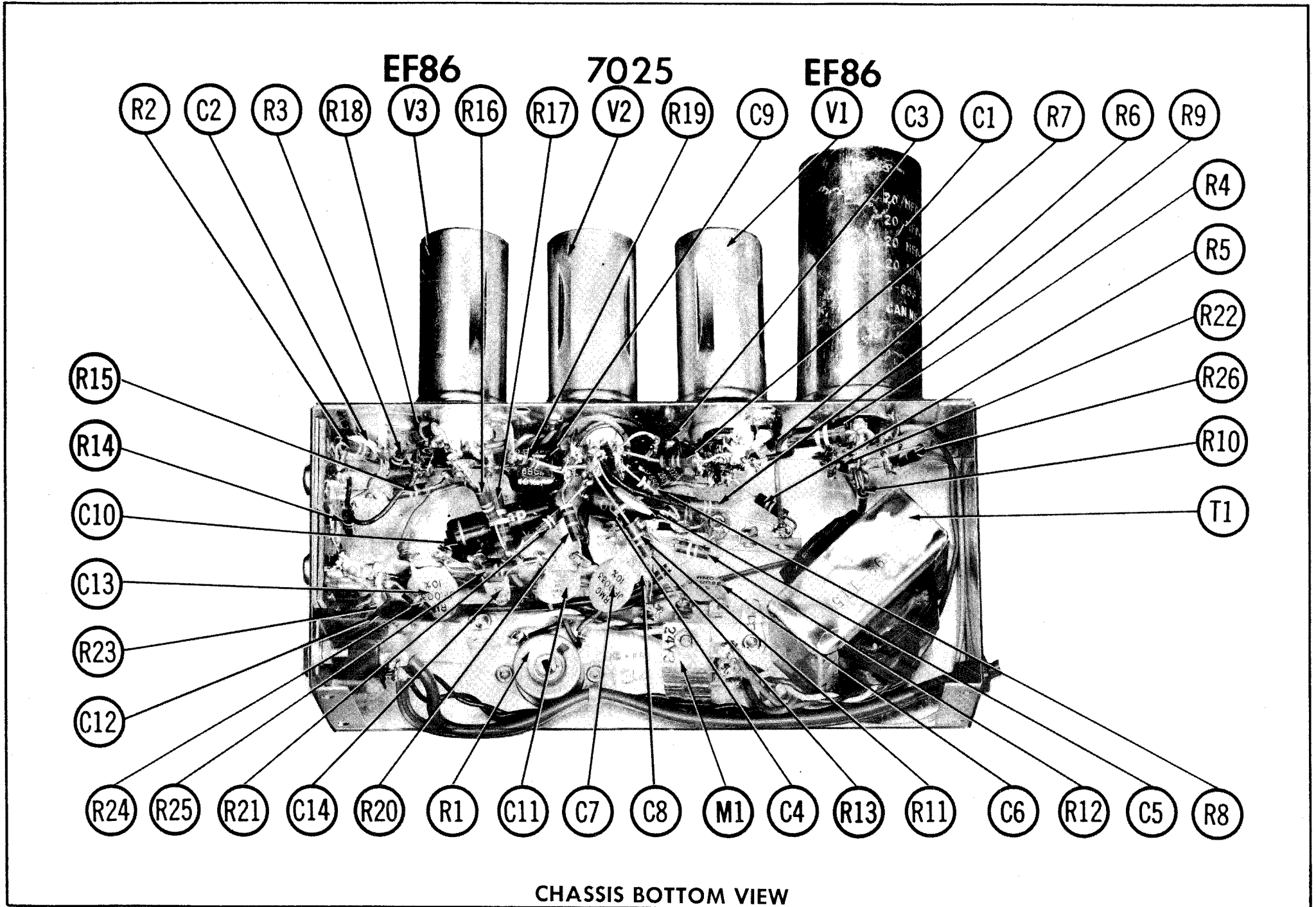
FISHER  
MODEL PR-66

TRADE NAME	Fisher Model PR-66
MANUFACTURER	Fisher Radio Corp., 21-21 44th Drive, Long Island City 1, N. Y.
TYPE SET	AC Operated 3 Tube Stereo Preamplifier
POWER SUPPLY	105 - 125 Volts AC, 60 Cycles      RATING 9 Watts, .125 Amp. @117 Volts AC

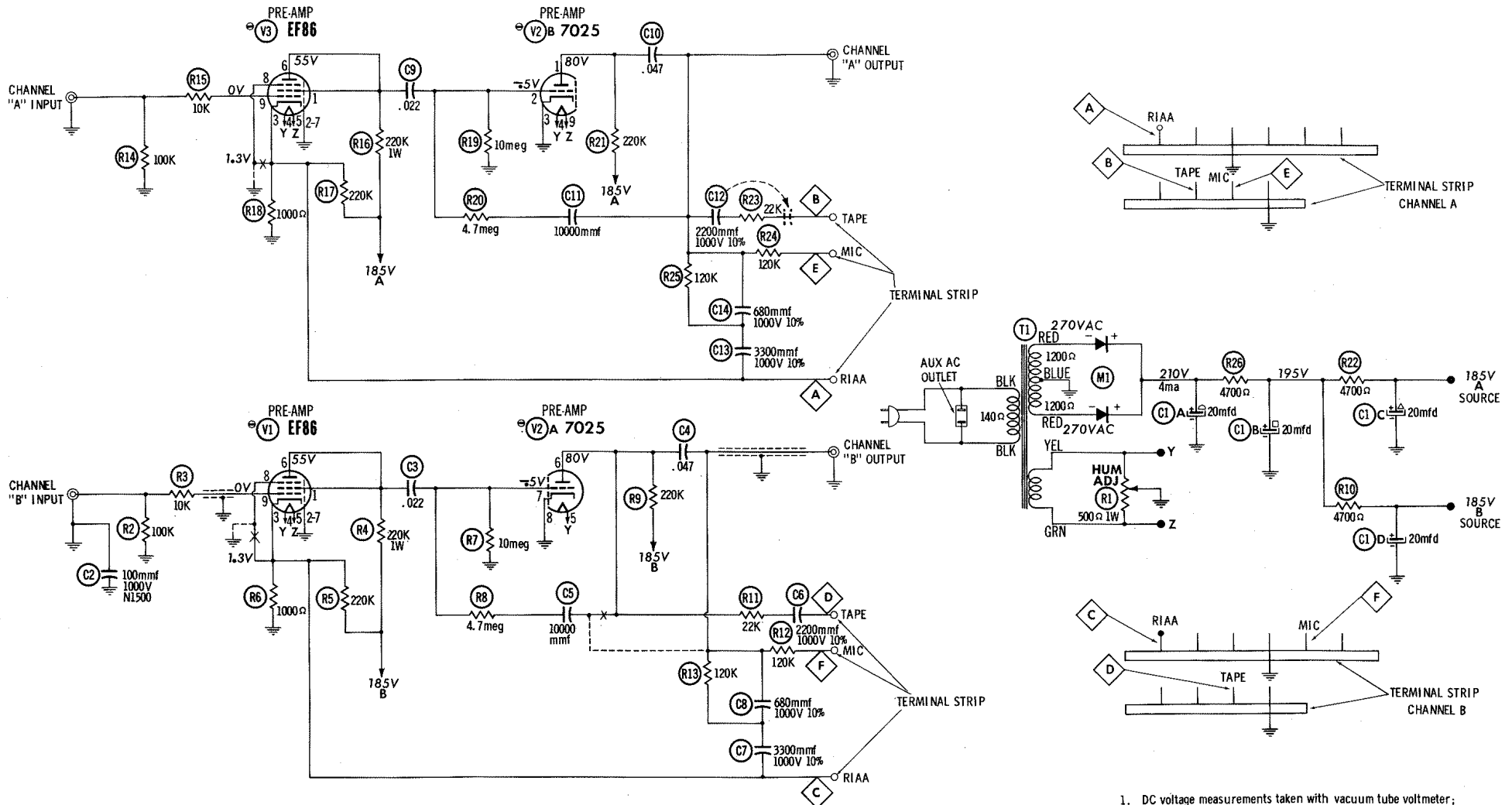
**HOWARD W. SAMS & CO., INC. Indianapolis 6, Indiana**

The listing of any available replacement part herein does not constitute in any case a recommendation, warranty or guaranty by Howard W. Sams & Co., Inc., as to the quality and suitability of such replacement part. The numbers of these parts have been compiled from information furnished to Howard W. Sams & Co., Inc., by the manufacturers of J9

the particular type of replacement part listed. Reproduction or use, without express permission, of editorial or pictorial content, in any manner, is prohibited. No patent liability is assumed with respect to the use of the information contained herein. © 1959 Howard W. Sams & Co., Inc., Indianapolis 6, Indiana. Printed in U.S. of America



CHASSIS BOTTOM VIEW



1. DC voltage measurements taken with vacuum tube voltmeter; AC voltages measured at 1000 ohms per volt.
2. Socket connections are shown as bottom views.
3. Measured values are from socket pin to common negative.
4. Line voltage maintained at 117 volts for voltage readings.
5. Nominal tolerance of component values makes possible a variation of  $\pm 15\%$  in voltage and resistance readings.
6. All controls at minimum, proper output load connected.

RESISTANCE READINGS

ITEM	TUBE	Pin 1	Pin 2	Pin 3	Pin 4	Pin 5	Pin 6	Pin 7	Pin 8	Pin 9
V1	EF86	† 225K	0 $\Omega$	1000 $\Omega$	130 $\Omega$	130 $\Omega$	† 225K	0 $\Omega$	1000 $\Omega$	110K
V2	7025	† 230K	10meg	0 $\Omega$	130 $\Omega$	130 $\Omega$	† 230K	10meg	0 $\Omega$	130 $\Omega$
V3	EF86	† 225K	0 $\Omega$	1000 $\Omega$	130 $\Omega$	130 $\Omega$	† 225K	0 $\Omega$	1000 $\Omega$	110K

† MEASURED FROM OUTPUT OF M1.

SEE PARTS LIST FOR ALTERNATE VALUE OR APPLICATION

DC COIL RESISTANCE VALUES UNDER ONE OHM NOT SHOWN ON SCHEMATIC DIAGRAM

# PARTS LIST AND DESCRIPTIONS

## TUBES ( GENERAL ELECTRIC, SYLVANIA )

ITEM No.	USE	TYPE	NOTES
V1	Channel "B" Preamp.	EF86/6267	
V2A	Channel "B" Preamp.	7025	

ITEM No.	USE	TYPE	NOTES
V2B	Channel "A" Preamp.	7025	
V3	Channel "A" Preamp.	EF86/6267	

① Alternate type ECC83/12AX7.

## ELECTROLYTIC CAPACITORS

ITEM No.	RATING		REPLACEMENT DATA						NOTES
	CAP.	VOLT.	FISHER PART No.	AEROVOX PART No.	CORNELL-DUBILIER PART No.	MALLORY PART No.	PYRAMID PART No.	SPRAGUE PART No.	
C1A	.20	350	C-656-126	AFH4-14	D0130	FP444	TMQ-12	TVL-4763	
B	.20	350							
C	.20	300							
D	.20	300							

## FIXED CAPACITORS

Capacity values given in the rating column are in mfd. for Paper Capacitors, and in mmfd. for Mica and Ceramic Capacitors.

ITEM No.	RATING			REPLACEMENT DATA						NOTES
	CAP.	VOLT	TOL	FISHER PART No.	AEROVOX PART No.	CENTRALAB PART No.	CORNELL-DUBILIER PART No.	MALLORY PART No.	SPRAGUE PART No.	
C2	100	1000	10%	C-50070-5	P488N-022	DD-203	CUB4S22	GEM-4122	4TM-S22	
C3	.022	250		C-50074-26						
C4	.047	200		C68P473K2						
C5	10000			C-50089-3						
C6	2200	1000		C-50072-5						
C7	3300	1000		C-50072-11						
C8	680	1000		C-50072-2						
C9	.022	250		C-50074-26						
C10	.047	200		C68P473K2						
C11	10000			C-50089-3						
C12	2200	1000		C-50072-5						
C13	3300	1000		C-50072-11						
C14	680	1000		C-50072-2						

\* Not normally in distributors stock. Available thru distributor on order to manufacturer.

## CONTROLS

ITEM No.	RATING		REPLACEMENT DATA					INSTALLATION NOTES
	RESISTANCE	WATTS	FISHER PART No.	CENTRALAB PART No.	CLAROSTAT PART No.	IRC PART No.	MALLORY PART No.	
R1	500Ω	1(WW)	R-516-128					Hum Adjustment

## RESISTORS

All wattages 1/2 watt, or less, unless otherwise listed.

ITEM No.	RATING		FISHER PART No.	NOTES
	OHMS	WATT		
R2	100K	1	RC20BF104K	
R3	10K		RC20BF103K	
R4	220K		RC30BF224K	
R5	220K		RC20BF224K	
R6	1000Ω		RC20BF102K	
R7	10meg		RC20BF106K	
R8	4.7meg		RC20BF475K	
R9	220K		RC20BF224K	
R10	4700Ω		RC20BF472K	
R11	22K		RC20BF223K	
R12	120K		RC20BF124K	
R13	120K		RC20BF124K	
R14	100K		RC20BF104K	

ITEM No.	RATING		FISHER PART No.	NOTES
	OHMS	WATT		
R15	10K	1	RC20BF103K	
R16	220K		RC30BF224K	
R17	220K		RC20BF224K	
R18	1000Ω		RC20BF102K	
R19	10meg		RC20BF106K	
R20	4.7meg		RC20BF475K	
R21	220K		RC20BF224K	
R22	4700Ω		RC20BF472K	
R23	22K		RC20BF223K	
R24	120K		RC20BF124K	
R25	120K		RC20BF124K	
R26	4700Ω		RC20BF472K	

## TRANSFORMER (POWER)

ITEM No.	RATING			REPLACEMENT DATA						
	PRI.	SEC. 1	SEC. 2	FISHER PART No.	Halldorson PART No.	Merit PART No.	Ram PART No.	Stancor PART No.	Thordarson PART No.	Triad PART No.
T1	117V @ .125A	340 VCT @.004A	6.3VCT @.9A	T-699-115						

## SELENIUM RECTIFIER

ITEM No.	RATING		REPLACEMENT DATA				NOTES
	CURRENT (Measured)	FISHER PART No.	FEDERAL PART No.	INTERNATIONAL PART No.	SARKES TARZIAN PART No.		
M1	.004A	SR-3283		60-9150 ①	026-18C1-Q	① 2 Used	

## WIRING DATA

General-use Unshielded Hook-up Wire ..... Use BELDEN No. 8530 (Solid) Available in Ten Colors  
8524 (Stranded) Available in Ten Colors  
Power Cord ..... Use BELDEN No. 1765-B (6 Ft. Length)  
1725-K (7½ Ft. Length)

### TAPE, STEREO AND/OR MONAURAL

To use with a stereo tape deck, make the following circuit changes: Convert channel "A" by unsoldering the violet wire from point A and resoldering to point B. Convert channel "B" by unsoldering violet wire from point C and resoldering to point D. When the unit is to be used with a monaural tape deck, make the change only on the channel to be used for the tape deck.

### MICROPHONE

To use channel "A" as a preamplifier for microphone, unsolder violet wire from point A and resolder to point E. If both channels are to be used as preamplifiers for microphones, unsolder violet wire from point B and resolder to point F in addition to the modification on channel "A".